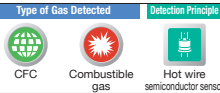


# Powerful Tools for Detecting Combustible Gas and CFC

Extractive Type Combustible gas detector

## XP-702 II Z



### Features

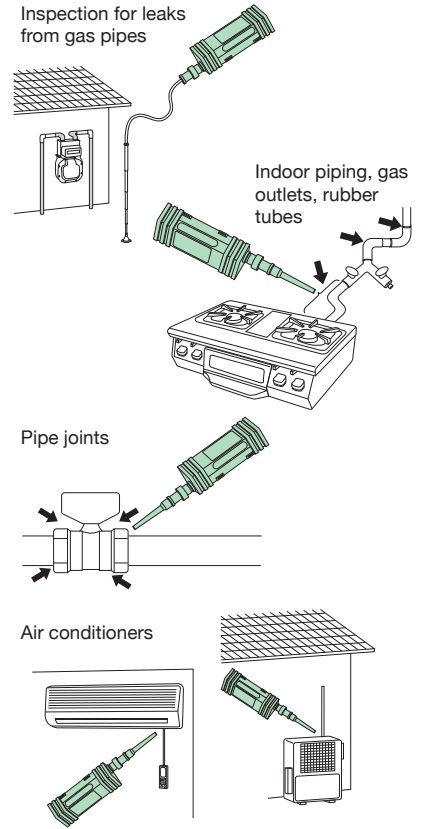
- Far more sensitive than leak detection liquid.
- Suitable for detecting small gas leaks.
- Detect two types of gas using a single Gas Detector.
- Extended battery life reduces running costs.

### Specifications

| Model                            | XP 702 Z-B   | XP 702 Z-A                                | XP 702 Z-F                                       |
|----------------------------------|--|---|--|
| Gas Detected                     | One type of combustible gas (e.g., city gas, LPG)  | Two types of combustible gas (selectable) | CFC substitutes and combustible gas (selectable) |
| Detection Principle              | Hot wire semiconductor   |   |  |
| Minimum Detectable Leak Rate     | City gas, LPG, etc.: $3.3 \times 10^{-6}$ Pa · m <sup>3</sup> /S<br>CFCs : Leakage of 12.4 g/year (R-407C) or 11.2 g/year (R-410A) |   |  |
| Minimum Detectable Concentration | City gas, LPG, etc.: 10ppm<br>CFCs : 30ppm   |   |  |
| Response Time                    | 3s or less (not including CFCs)  |   |  |
| Detection Indication             | Intermittent buzzer and flashing lamp  |   |  |
| Power Source                     | 3×AA alkaline dry cells  |   |  |
| Battery Life                     | Up to 18 hours (by alkaline dry cells) at constant temperature and humidity  |   |  |
| Explosion-Proof Structure        | Sensor: Pressurization, Other parts: Intrinsic safety  |   |  |
| Operating Temperature            | 20 to 50   |   |  |
| Dimensions                       | W60 × H140 × D40mm (excluding protrusions)   |   |  |
| Weight                           | Approx. 260g (excluding batteries)   |   |  |
| Standard Accessories             | Probe with filter/moisture trap, Check gas, Standard attachment, 3×AA alkaline dry cells, Hand strap, Spare filters                |   |  |
| Optional Accessories             | Probe for testing roadway surfaces, Telescopic gas probe, Earphones, etc.  |   |  |

\*1 Battery life may vary with ambient conditions, conditions of use, storage period, battery manufacturers, etc.  
 \*2 The gas probe set is available in four types. Contact us for details.  
 \*3 Contact us for information on the types of gas that can be detected.

### Example of how XP-702 Z is used.



CE  
(Designation required)