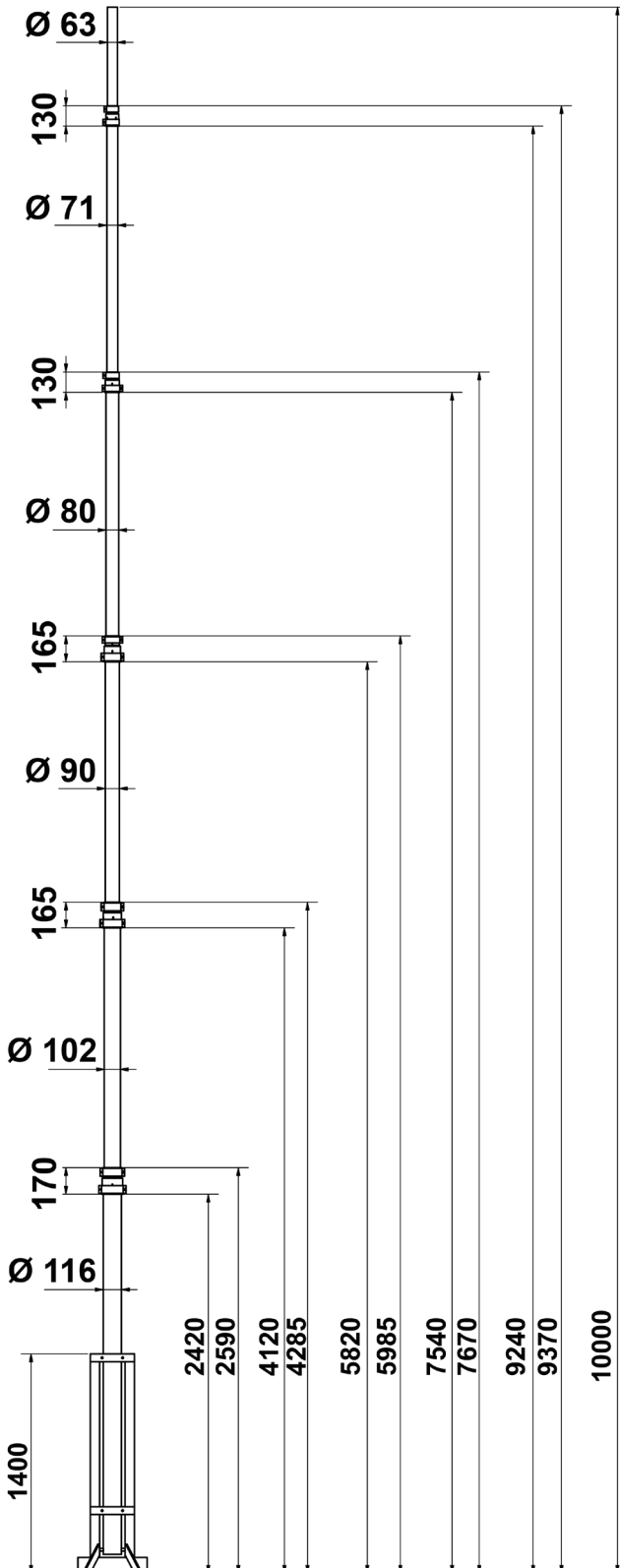


### Technical data about

- Masts: 10 m, 6 m, 4 m
- Guy wires
- Traverses
- Wall bracket
- Mast base
- Mast adapter
- Housing bracket (data logger / power supply)

# 10 m Telescopic mast Id-No. 00.14626.101000

## Dimensions of the individual extendable mast elements (mm)



## Technical data

Weight: 56 kg

Material: aluminium

Packaging size: 2.70 x 0.2 m  
(transport length)

Maximum wind load at the top of the mast:  
v = 130 km/h : 340 N

v = 150 km/h : 295 N

## Required clamping jaws

Ø 63, 71, 80, 90, 102, 116

Material: aluminium

Weight: 0.7 • 1.0 • 0.8 • 1.2 • 1.2 • 1.4 kg  
(Set: 2 clamping jaws + screw connection)

## Guy wires

Dimensions, material and weight refer to table guy wires

Included in the set: anchor plates, thimbles, rope locks, steel ropes, guy collars, rope tensioners, carabiners and shackles

## Mast base with tilting joint

Dimensions: 1400 x 440 x 440 mm

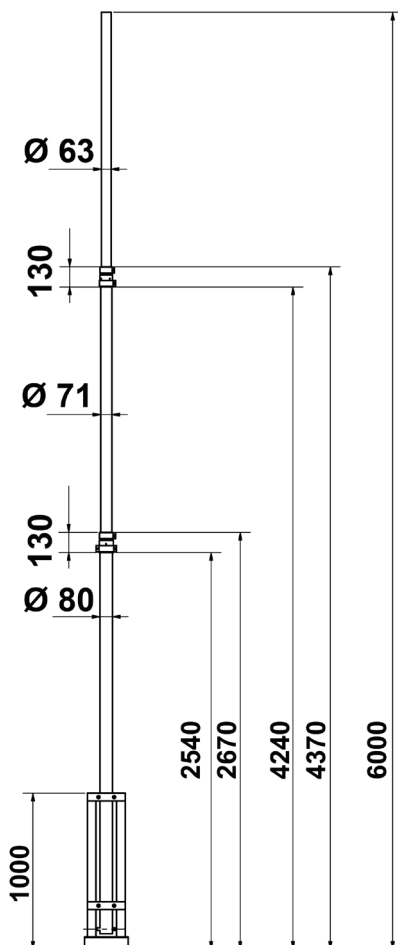
Weight: 80 kg

Material: steel

Included in the set: screws, dowels and nuts, anchor bolts, ground nails and hexagon socket stainless steel clamping screws

## 6 m Telescopic mast Id-No. 00.14626.060000

### Dimensions of the individual extendable mast elements (mm)



### Technical data

Weight: 19 kg

Material: aluminium

Packaging size: 2.7 x 0.2 m  
(transport length)

Maximum wind load at the top of the mast:  
 $v = 130 \text{ km/h} : 250 \text{ N}$

$v = 150 \text{ km/h} : 215 \text{ N}$

### Required clamping jaws

$\varnothing 63, 71, 80$

Material: aluminium

Weight:  $0.7 \cdot 1.0 \cdot 0.8 \text{ kg}$

(Set: 2 clamping jaws + screw connection)

### Guy wires

Dimensions, material and weight refer to table guy wires

Included in the set: anchor plates, thimbles, rope locks, steel ropes, guy collars, rope tensioners, carabiners and shackles

### Mast base with tilting joint

Dimensions: 1000 x 280 x 280 mm

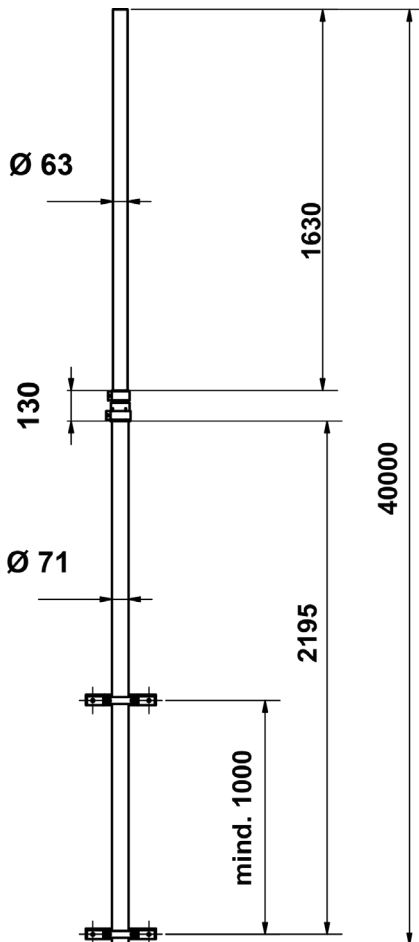
Weight: 45 kg

Material: steel

Included in the set: screws, dowels and nuts, anchor bolts, ground nails and hexagon socket stainless steel clamping screws

## 4 m Telescopic mast Id-No. 00.14626.040000

### Dimensions of the individual extendable mast elements (mm)



### Technical data

Weight: 12 kg

Material: aluminium

Packaging size: 2.40 x 0.2 m  
(transport length)

Maximum wind load at the top of the mast:  
v = 130 km/h : 325 N  
v = 150 km/h : 300 N

### Required clamping jaws

Ø 63, 71

Material: aluminium

Weight: 0.7 • 1.0 kg

(Set: 2 clamping jaws + screw connection)

### Guy wires

Dimensions, material and weight refer to table guy wires

Included in the set: anchor plates, thimbles, rope locks, steel ropes, guy collars, rope tensioners, carabiners and shackles

### Mast base with tilting joint

Dimensions: 650 x 280 x 280 mm

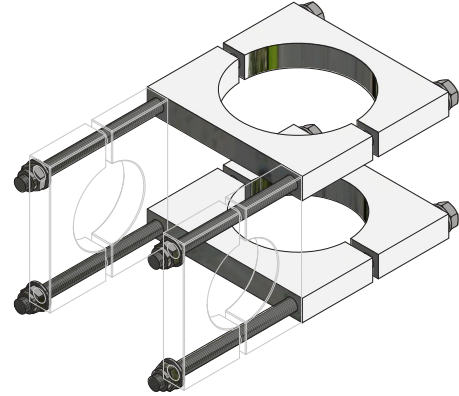
Weight: 25 kg

Material: steel

Included in the set: screws, dowels and nuts, anchor bolts, ground nails and hexagon socket stainless steel clamping screws

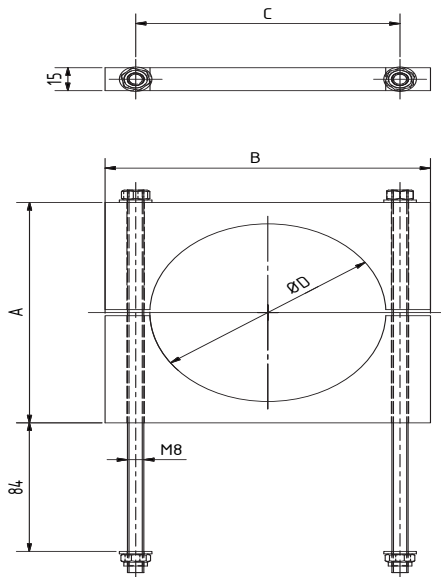
## Clamping jaws

Diameter	Weight	Id-No.
Ø 63	0,7 kg	32.14626.006063
Ø 71	1,0 kg	32.14626.006071
Ø 80	0,8 kg	32.14626.006080
Ø 90	1,2 kg	32.14626.006090
Ø 102	1,2 kg	32.14626.006102
Ø 116	1,4 kg	32.14626.006116



Material: aluminium

(Set: 2 clamping jaws + screw connection)



Zur Herstellung einer Befestigung durch Klemmverbindung am Mastrohr (zb Befestigung Traverse) wird ein Set Klemmbacken passend zum Ø Mastrohr, bestehend aus 2 Klemmbacken + Montagematerial benötigt  
Die Gewichtsangaben sind für ein Set angegeben

Abmessungen Klemmbacken						
Artikelnummer	Benennung	D	A	B	C	Masse in kg
32.14626.006063	Klemmbacke Ø 63	63	84	90	75	0,7
32.14626.006071	Klemmbacke Ø 71	71	104	110	95	1,0
32.14626.006080	Klemmbacke Ø 80	80	104	110	95	0,8
32.14626.006090	Klemmbacke Ø 90	90	124	140	125	1,2
32.14626.006102	Klemmbacke Ø 102	102	124	140	125	1,2
32.14626.006116	Klemmbacke Ø 116	116	144	160	130	1,4

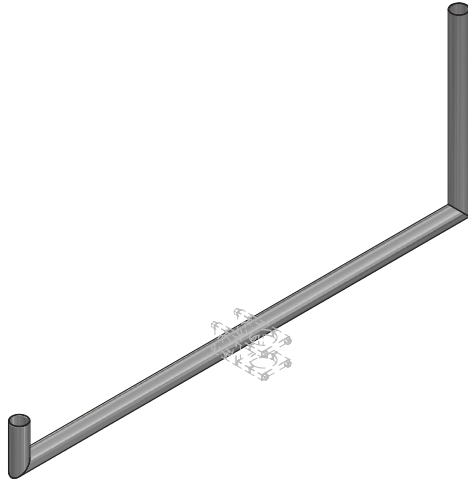


## Guy wires - example 10 m mast Id-No. 32.14626.101300

Description	Dimension (mm)	Weight (kg)	Number	Material	Total weight (kg)
Anchor plates	180 x 120 x 60	2.4	3	Steel	7.2
Thimbles	50 x 25 x 10	0.02	12	Steel	0.24
Rope locks	30 x 30 x 12	0.02	36	Steel	0.72
Steel rope	Ø 3 mm, 10 m	0.4	3	Steel	1.2
Steel ropel	Ø 3 mm, 7 m	0.22	3	Steel	0.66
Guy collars Ø 63 with ring nuts	190 x 105 x 45	0.6	1	Aluminium / Steel	0.6
Guy collars Ø 80 with ring nuts	210 x 125 x 45	0.7	1	Aluminium / Steel	0.7
Rope tensioners	435 x 60 x 30	0.6	6	Steel	3.6
Carabiners	70 x 35 x 8	0.06	6	Steel	0.36
Shackles	50 x 60 x 20	0.1	6	Steel	0.6

## Traverses

### Wind traverse 1.5 m

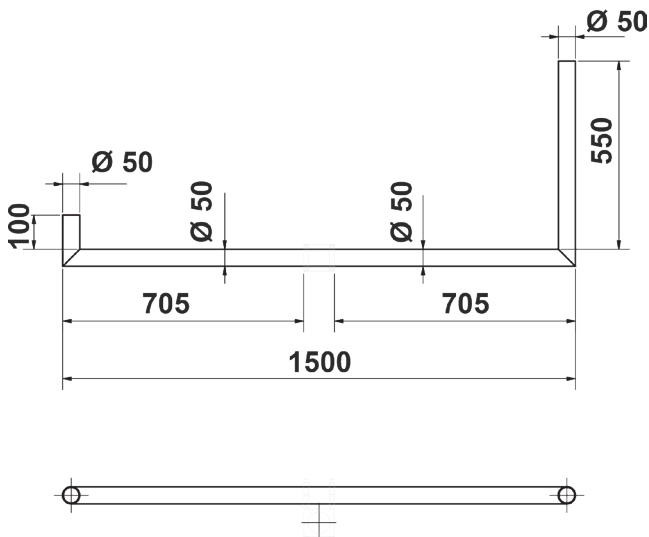


Id-No. 32.14626.010000

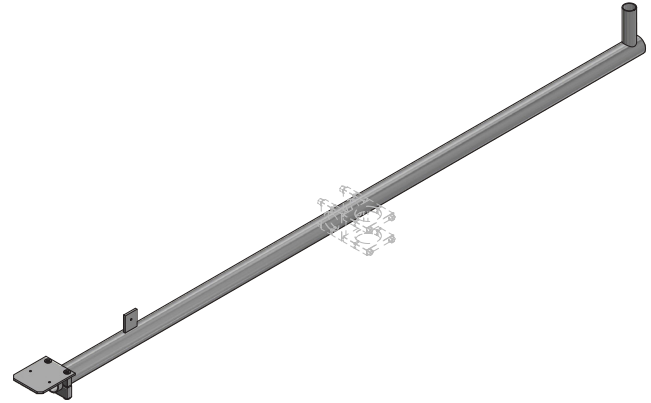
Weight: 1.8 kg

Material: aluminium

Dimensions:



### Double traverse 2 m

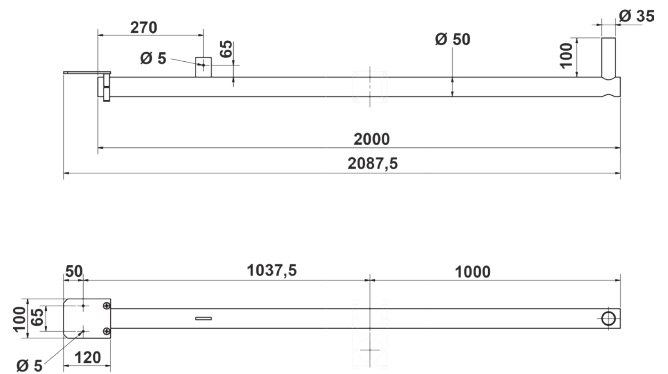


Id-No. 32.14626.013000

Weight: 3 kg

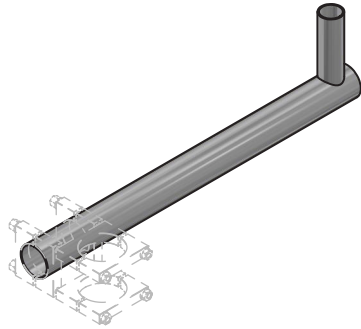
Material: aluminium

Dimensions:



## Traverses

### Half traverse TH 0.5 m

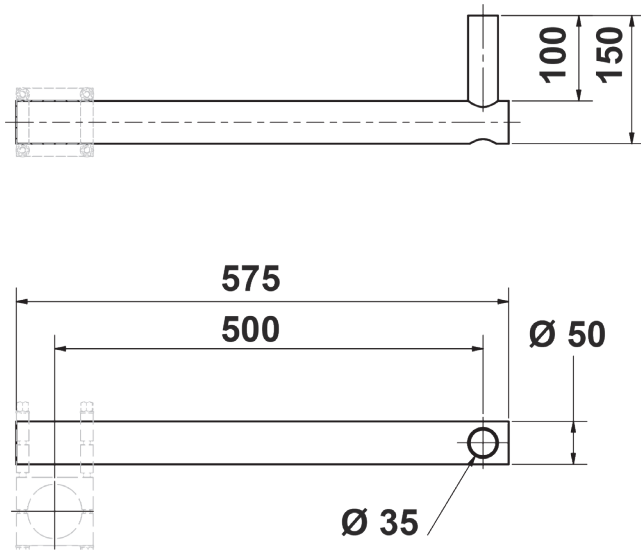


Id-No. 32.14626.015000

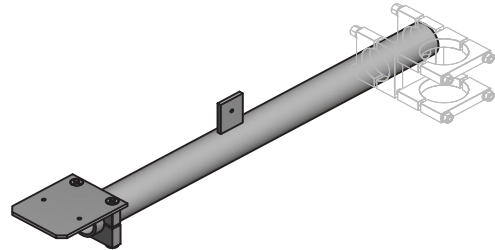
Weight: 1 kg

Material: aluminium

Dimensions:



### Half traverse S + SD 0.5 m

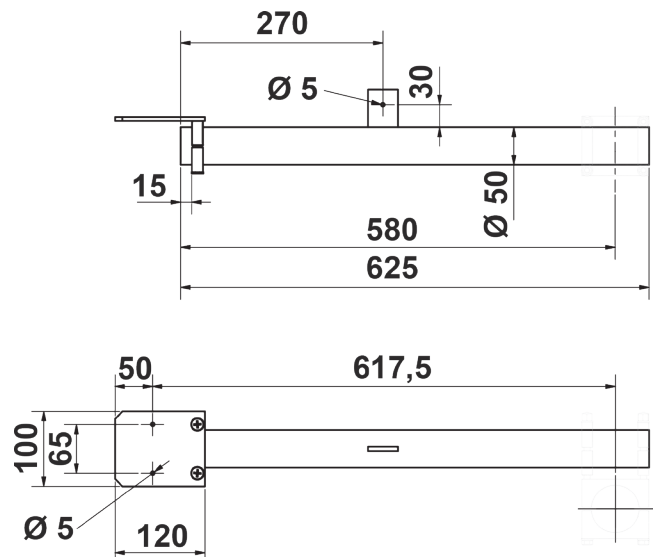


Id-No. 32.14626.014000

Weight: 1.2 kg

Material: aluminium

Dimensions:





## Wall bracket 4 m mast

Id-No. 32.14626.040400

Weight: 5.5 kg

Material: steel

Diameter: Ø 71

Set: 2 wall brackets + screw connection

Dimensions: \* Ø 71

## Wall bracket 6 m mast

Id-No. 32.14626.060400

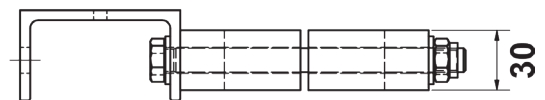
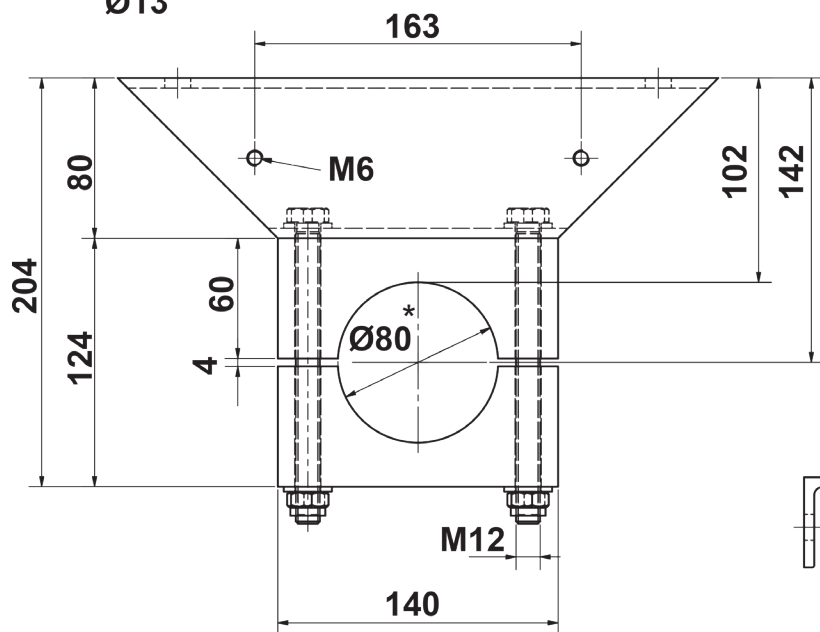
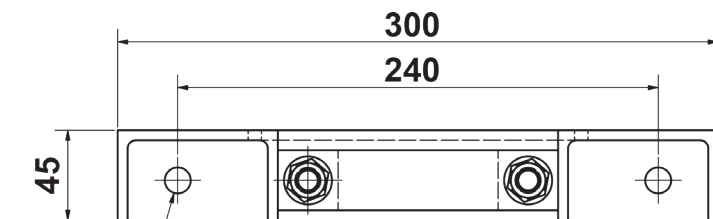
Weight: 5.5 kg

Material: steel

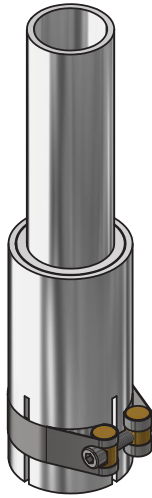
Diameter: Ø 80

Set: 2 wall brackets + screw connection

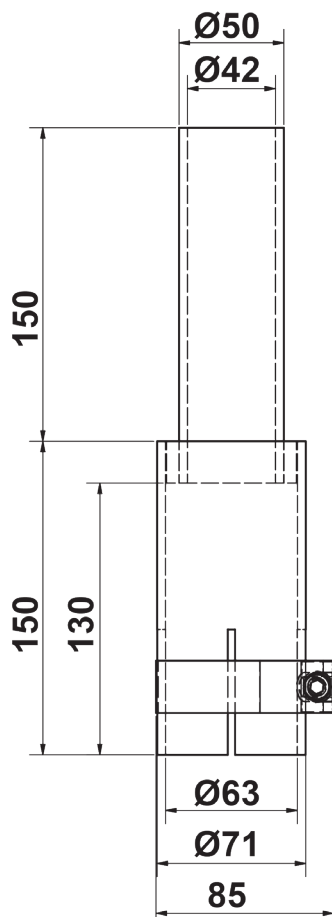
Dimensions:



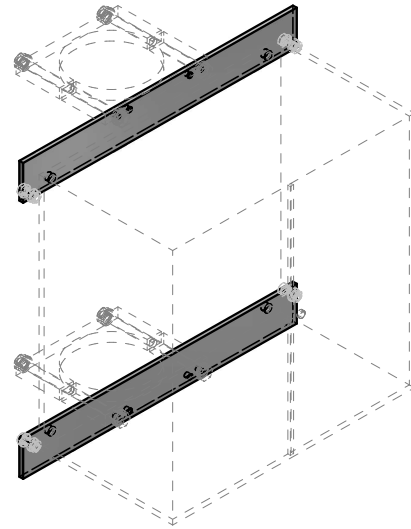
## Mast adapter



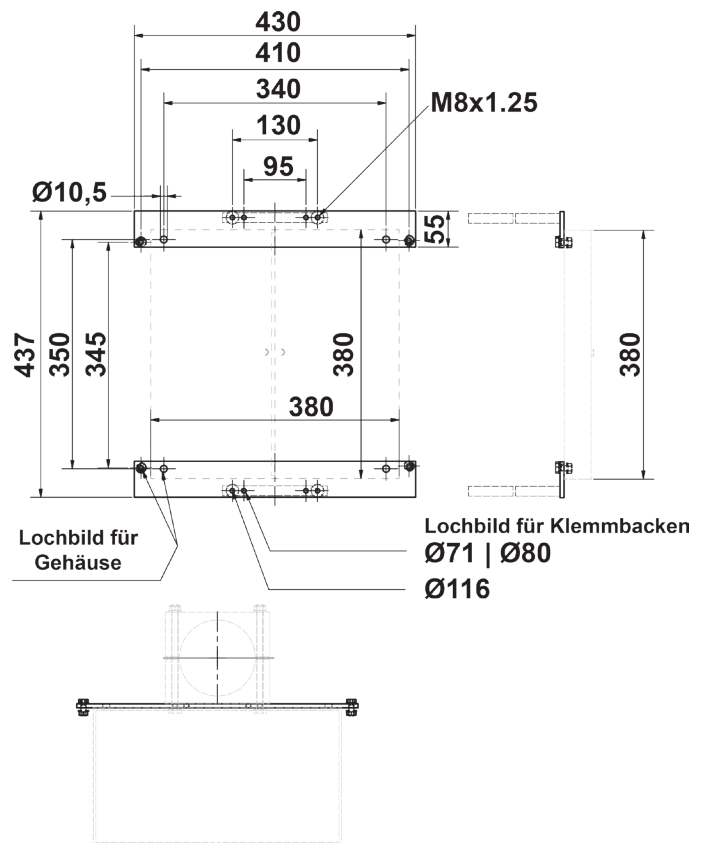
Id-No. 32.14626.011000  
For sensors on the mast tip  $\varnothing$  50 mm  
Weight: 0.8 kg  
Material: aluminium  
Dimensions:



## Housing bracket



Id-No. 32.14626.017000  
Weight: 1.7 kg  
Material: aluminium  
Dimensions:



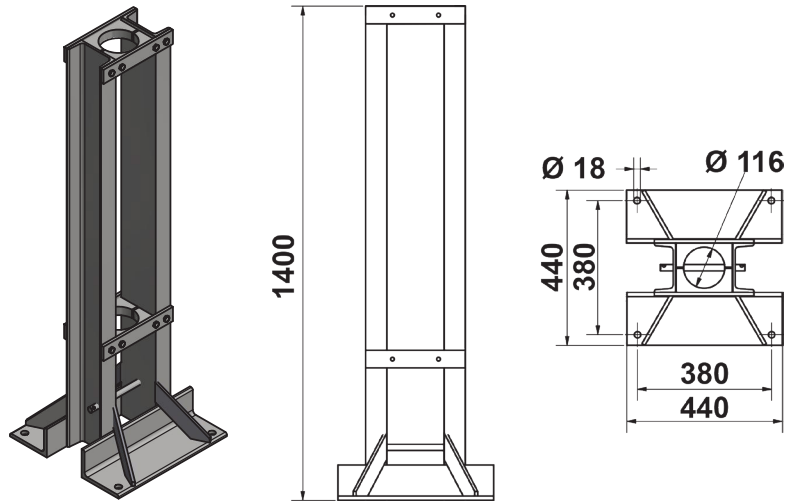
## Mast base 10 m mast

Id-No. 32.14626.101500

Weight: 80 kg

Material: steel

Dimensions:



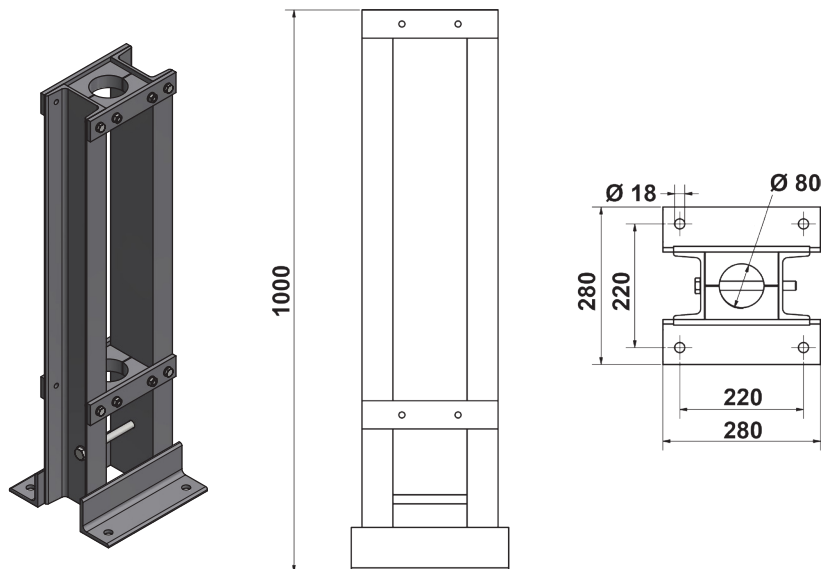
## Mast base 6 m mast

Id-No. 32.14626.060500

Weight: 45 kg

Material: steel

Dimensions



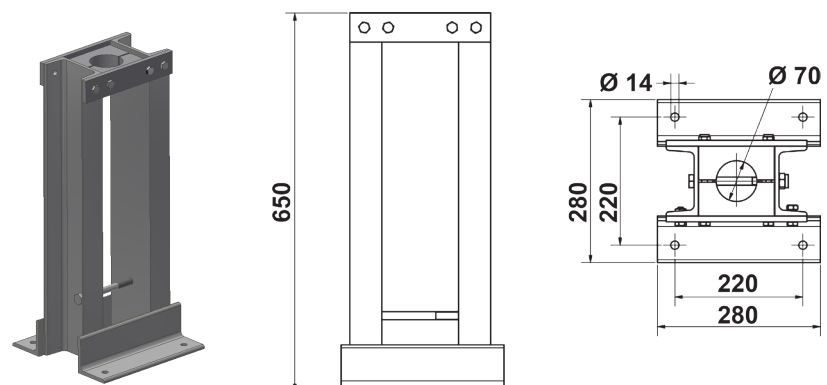
## Mast base 4 m mast

Id-No. 32.14626.040500

Weight: 25 kg

Material: steel

Dimensions





Quality System certified by DQS according to  
DIN EN ISO 9001:2015 Reg. No. 003748 QM15

**LAMBRECHT meteo GmbH**  
**Friedländer Weg 65-67**  
**37085 Göttingen**  
**Germany**

Subject to change without notice.

Tel +49-(0)551-4958-0  
Fax +49-(0)551-4958-312  
E-Mail [info@lambrecht.net](mailto:info@lambrecht.net)  
Internet [www.lambrecht.net](http://www.lambrecht.net)

Masts and components 40.20