

### Humidity / Temperature Transmitter for High Humidity and Chemical Applications

The highly accurate HLX33 series are designed for fast and reliable measurement of relative humidity / dew point temperature / absolute humidity / ...under the most demanding conditions.

Neither condensation nor heavy chemical pollutions will affect prompt and reliable measurements. Process pressures as high as 100 bar (1450 psi) and continuous high humidity are also no problem for the HLX33 series.

The core of the HLX33 series is the new monolithic measurement cell type HMC1, manufactured in thin-film technology

Chemical contamination and also condensation will actually evaporate due to the innovative design of the HMC1 measurement cell. The monolithic construction of the sensor allows a fast return to normal conditions and a continuation of the measurement.

Additionally, with the inimitable sensor coating the HMC1 measurement cell is even better protected against corrosive and short-circuit-causing conductive soils.

Distinctive models and mounting versions allow the HLX33 series to be utilized in numerous applications:

- **Measurement of relative humidity during temporary condensation:**  
the measurement cell is briefly heated, but very intense
- **Measurement of dew point temperature at continuous high humidity:**  
the measurement cell is controlled and heated continuously
- **Measurement of relative humidity at continuous high humidity:**  
the measurement cell is controlled and heated continuously;  
an additional temperature sensor is added
- **Measurement of relative humidity at high chemical exposure and average humidity:**  
the measurement cell is briefly heated, but very intense
- **Measurement of relative humidity at process pressure up to 100bar (1450psi) and average humidity:**  
the measurement cell is installed in a special high pressure probe

The configuration software included in the scope of supply allows user friendly setup of the operation / sensor heating mode as well as selection and adjustment of the electrical outputs.

#### Model

- C** - remote sensing probe up to 120°C (248°F)
- D** - remote sensing probe up to 180°C (356°F)
- E** - remote sensing probe, pressure tight up to 20bar (300psi)
- I** - remote sensing probe, pressure tight up to 100bar (1450psi)
- J** - 2 remote sensing probes (RH-measurement),  
pressure tight up to 20bar (300psi)
- K** - remote sensing probe (Td-measurement)  
pressure tight up to 20bar (300psi)

#### Typical Applications

pharmaceutical and food industry  
dryers for ceramics, wood, concrete, polyester, etc  
mushroom farms  
high-humidity storage rooms  
climate, test and curing chambers  
meteorology

#### Environmental Conditions

chemical pollution, temporary condensation  
chemical pollution, temporary condensation  
chemical pollution, temporary condensation  
chemical pollution, temporary condensation  
continuous high humidity and condensation

continuous high humidity and condensation

#### Features

heated, monolithic measurement cell  
working range 0...100% RH / -40...+180°C (-40...356°F)  
measurement near condensation  
fast recovery after condensation  
chemical purge after chemical exposure  
pressure tight up to 100bar (1450psi)  
calculation of additional physical quantities  
optional sensor coating



heated, monolithic measurement cell



HLX33-MFT C  
HLX33-MFT D  
HLX33-MFT K

HLX33-MFT E  
HLX33-MFT I

HLX33-MFT J

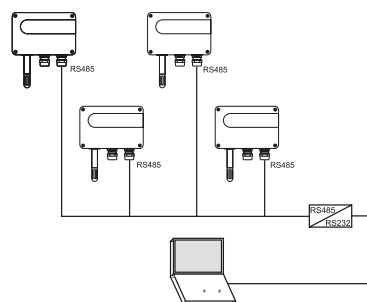
## Functions

	Comment
Measurement of humidity and temperature	✓
Calculation h, r, dv, Tw, Td, Tf, e	✓
2 freely scaleable and configurable analogue outputs	✓
Remote sensing probe up to 20m (65.6ft)	✓
On-site adjustment for relative humidity and temperature	✓
LED indication of transmitter status / error diagnosis of probes	✓
RS232 for transmitter configuration via PC	✓
Configuration software	✓
Alternating display with MIN/MAX indication	optional
2 freely configurable alarm outputs	optional
Removeable sensing probe	optional
Sensor protection with coating	optional
Pluggable electrical connections	optional
Data output via RS232 interface	optional
Data output via RS485 interface	✓
Networking for up to 32 transmitters via RS485 bus	optional
Ethernet interface for networking and remote monitoring	optional
Data logging and analysis PC software	optional
ARC-Module for external triggering of sensor-heating	optional

## Networkability / Ethernet Interface

The optional RS485 interface (order code N) allows for building a network of up to 32 transmitters. The measurement data can be collected in a shared database and made available for all kinds of further processing.

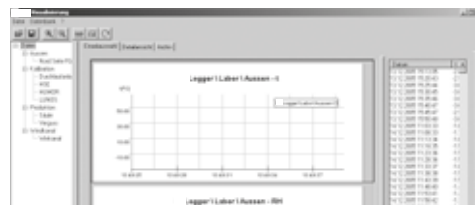
Additionally, the transmitters can be networked with an Ethernet module (order code E) for remote monitoring.



## Software

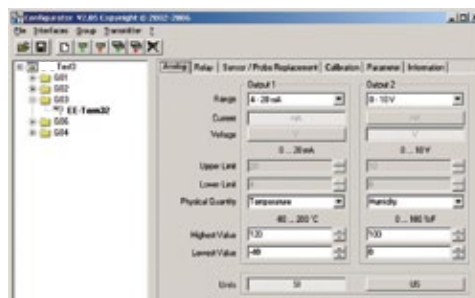
### Configuration Software (included in the scope of supply):

The configuration software allows flexible and simple adjustment of the analogue and alarm outputs in accordance with the requirements. The adjustment / calibration of the humidity and temperature outputs is possible as well. Furthermore the settings of the start and duration of the heating of the measurement cell can be defined.



### Data Logging / Analysis Software (optional):

An additional software package enables data recording and management, including alerts by e-mail or text message when set points are triggered. It is also possible to present the collected measurement data on a PC in graphs or tables. If the option N (RS485) or E (Ethernet) is selected in the ordering code, the data logging and analysis software will be included in the scope of supply.



## Integrated Display

The actual measurement data and the corresponding Min/Max values can be indicated in an optional display (order code D05). The physical quantity to be displayed is selected by the push buttons next to the display.

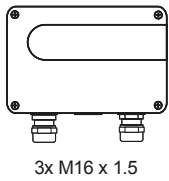


## Alarm Outputs

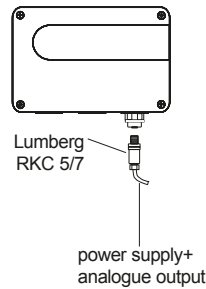
An optional alarm module with 2 relay outputs is available for control and alarm purposes (order code SW). The selection of the physical quantity and the setting of threshold and hysteresis can be made with the configuration software included in the scope of supply.

## Connection Versions

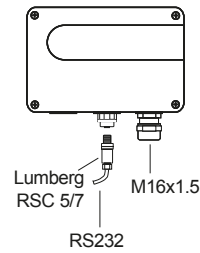
### standard



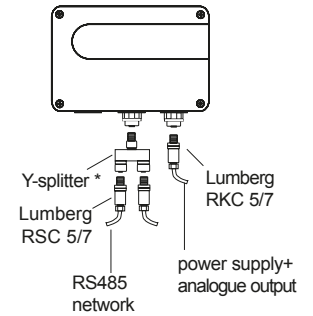
### plug option C03



### plug option C06

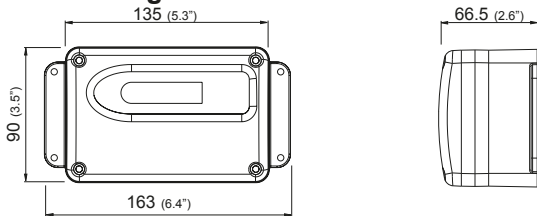


### plug option C08

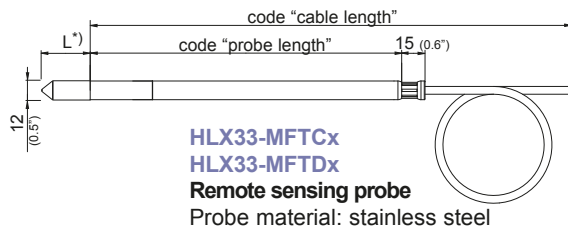


## Dimensions (mm)

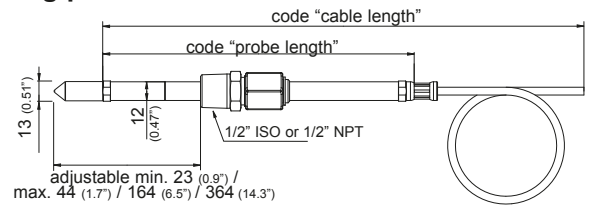
### Housing:



### Remote Probe:

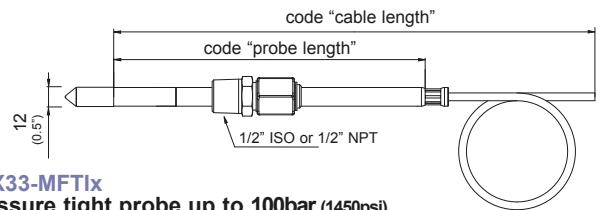


### Sensing probes:



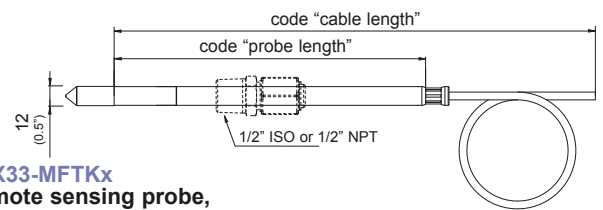
### HLX33-MFTEx

**Pressure tight probe up to 20bar (300psi)**  
Probe material: stainless steel



### HLX33-MFTIx

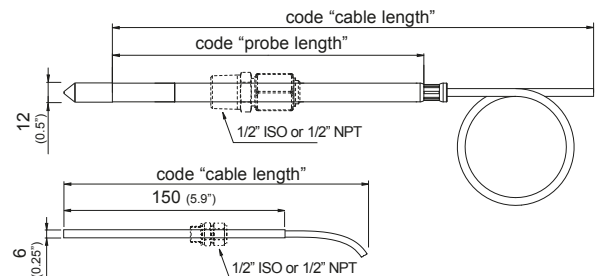
**Pressure tight probe up to 100bar (1450psi)**  
Probe material: stainless steel



### HLX33-MFTKx

**Remote sensing probe, pressure tight up to 20bar (300psi)**  
(screw connection is not included in the scope of supply)  
Probe material: stainless steel

screw connection:	order code:
1/2" ISO 12mm	HA011102
1/2" NPT 12mm	HA011103



### HLX33-MFTJx

**Two remote sensing probes, pressure tight up to 20bar (300psi)**  
(screw connections are not included in the scope of supply)  
Probe material: stainless steel

screw connection:	order code:
1/2" ISO 12mm	HA011102
1/2" NPT 12mm	HA011103
1/2" ISO 6mm	HA011104
1/2" NPT 6mm	HA011105

\*) L = Filter length: refer to data sheet "Accessories"

## Technical Data

### Measurement values

#### Relative humidity

Humidity sensor<sup>1)</sup>

Working range<sup>1)</sup>

Accuracy<sup>\*)</sup> (including hysteresis, non-linearity and repeatability, traceable to intern. standards, administrated by NIST, PTB, BEV...)

-15...40°C (5...104°F) ≤90% RH

-15...40°C (5...104°F) 90% RH

-25...70°C (-13...158°F)

-40...180°C (-40...356°F)

Temperature dependence of electronics

Response time with metal grid filter at 20°C (68°F) / t<sub>90</sub>

#### Temperature

Temperature sensor element

Working range sensing head

Accuracy

Temperature dependence of electronics

External temperature probe

### Outputs<sup>2)</sup>

Two freely selectable and scaleable analogue outputs

Digital interface

### Max. adjustable measurement range<sup>2)3)</sup>

heated, monolithic measurement cell HMC1

0...100% RH

± (1.3 + 0.3%\*mv) % RH

± 2.3% RH

± (1.4 + 1%\*mv) % RH

± (1.5 + 1.5%\*mv) % RH

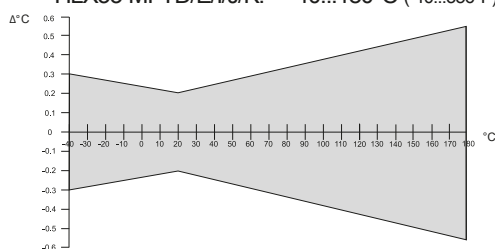
typ. ± 0.01% RH/°C (0.0055% RH/°F)

< 15s

monolithic measurement cell HMC1

HLX33-MFTC: -40...120°C (-40...248°F)

HLX33-MFTD/E/I/J/K: -40...180°C (-40...356°F)



typ. ± 0.005°C/°C

Pt1000 (DIN A)

0 - 1V

0 - 5V

0 - 10V

4 - 20mA

0 - 20mA

RS232

-1mA < I<sub>L</sub> < 1mA

-1mA < I<sub>L</sub> < 1mA

-1mA < I<sub>L</sub> < 1mA

R<sub>L</sub> < 500 Ohm

R<sub>L</sub> < 500 Ohm

optional: RS485 or ethernet

		from	to			Unit
			HLX33-C	HLX33-D/E/I/J	HLX33-K	
Humidity	RH	0	100	100	/	% RH
Temperature	T	-40 (-40)	120 (248)	180 (356)	/	°C (°F)
Dew point temperature	Td	-40 (-40)	100 (212)	100 (212)	100	°C (°F)
Frost point temperature	Tf	-40 (-40)	0 (32)	0 (32)	0	°C (°F)
Wet bulb temperature	Tw	0 (32)	100 (212)	100 (212)	/	°C (°F)
Water vapour partial pressure	e	0 (0)	1100 (15)	1100 (15)	/	mbar (psi)
Mixture ratio	r	0 (0)	999 (9999)	999 (9999)	/	g/kg (gr/lb)
Absolute humidity	dv	0 (0)	700 (300)	700 (300)	/	g/m3 (gr/ft3)
Specific enthalpy	h	0 (0)	2800 (99999)	2800 (99999)	/	kJ/kg (btu/lb)

### General

Supply voltage

8...35V DC

12...30V AC

(optional 100...240V AC, 50/60Hz)

Current consumption - 2x voltage output

for 24V DC/AC: typ. 40mA / 80mA

- 2x current output

typ. 80mA / 160mA

Pressure range for pressure tight probe

HLX33-MFTEx/Jx/Kx: 0.01...20bar (0.15...300psi)

HLX33-MFTIx: 0...100bar (0...1450psi)

System requirements for software

WINDOWS 2000 or later; serial interface

Housing / protection class

Al Si 9 Cu 3 / IP65; (Nema 4)

Cable gland

M16 x 1.5 cable Ø 4.5 - 10 mm (0.18 - 0.39")

Electrical connection

screw terminals up to max. 1.5mm<sup>2</sup> (AWG 16)

Working and storage temperature range of electronics

-40...60°C (-40...140°F)

-20...50°C (-4...122°F) - housing with display

Electromagnetic compatibility according to

EN61326-1 EN61326-2-3 ICES-003 ClassB  
Industrial Environment FCC Part15 ClassB



1) Refer to the working range of the humidity sensor.

2) Can be easily changed by software.

3) Refer to accuracies of calculated values (page 152)

\*) The accuracy statement includes the uncertainty of the factory calibration with an enhancement factor k=2 (2-times standard deviation). The accuracy was calculated in accordance with EA-4/02 and with regard to GUM (Guide to the Expression of Uncertainty in Measurement).

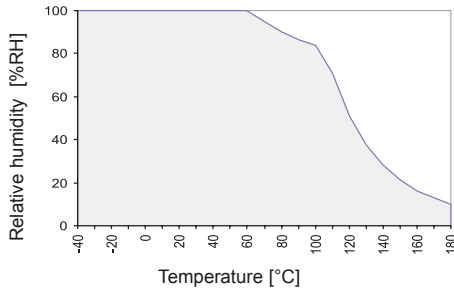
## Technical Data for Options

Display graphical LC display (128x32 pixels), with integrated push-buttons for selecting parameters and MIN/MAX function

Alarm outputs 2 x 1 switch contact  
250V AC / 6A  
28V DC / 6A  
threshold + hysteresis: can be adjusted with configuration software  
switching parameters:

freely selectable between	HLX33-MFTA/C/D/E/I/J	HLX33-MFTK
RH Relative humidity	✓	
T Temperature	✓	
Td Dew point temperature	✓	✓
Tf Frost point temperature	✓	✓
Tw Wet bulb temperature	✓	
e Water vapour partial pressure	✓	
r Mixture ratio	✓	
dv Absolute humidity	✓	
h Specific enthalpy	✓	

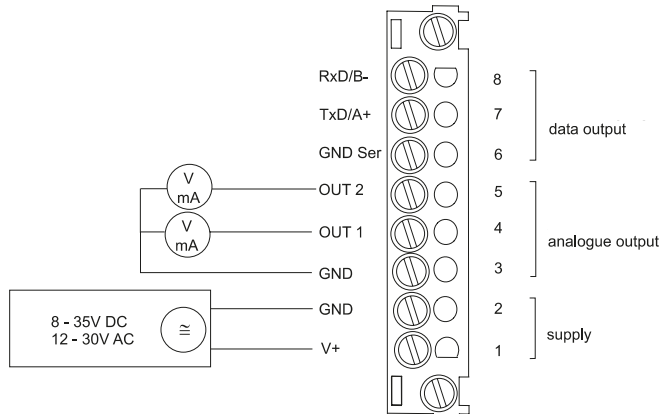
## Working Range Humidity Sensor



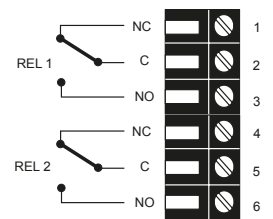
The grey area shows the allowed measurement range for the humidity sensor.

Operating points outside of this range do not lead to destruction of the sensor, but the specified measurement accuracy cannot be guaranteed.

## Connection Diagram



Terminal configuration - Alarm output (order code SW)



## Accessories / Replacement Parts (For further information, see data sheet "Accessories")

- |                                      |            |                                    |            |
|--------------------------------------|------------|------------------------------------|------------|
| - Filter caps                        | (HA0101xx) | - Drip water protection            | (HA010503) |
| - Display + housing cover            | (D05M)     | - Calibration set                  | (HA0104xx) |
| - Interface cable for PCB            | (HA010304) | - Pressure tight screw connections |            |
| - Interface cable for plug C06       | (HA010311) | 1/2" ISO 12mm                      | (HA011102) |
| - 1/2" NPT-adapter for configuration | (HA011101) | 1/2" NPT 12mm                      | (HA011103) |
| - Mounting flange 12mm (RH probe)    | (HA010201) | 1/2" ISO 6mm                       | (HA011104) |
| - Mounting flange 6mm (T probe)      | (HA010207) | 1/2" NPT 6mm                       | (HA011105) |
| - Adapter M16x1.5 to NPT 1/2"        | (HA011101) | - Radiation shield for RH-probe    | (HA010502) |
| - RS485 Kit (HW + SW) for networking | (HA010601) | - Radiation shield for T-probe     | (HA010506) |
| - Data logging / analysis software   | (HA010602) |                                    |            |

## Ordering Guide

		HLX33	HLX33	HLX33	HLX33	HLX33	HLX33
<b>Hardware Configuration</b>							
<b>Housing</b>	metal housing	M	M	M	M	M	M
<b>Type</b>	humidity	FT	FT	FT	FT	FT	FT
<b>Model</b>		C	D	E	I	J	K
<b>Filter</b>	PTFE stainless steel filter					2	
	stainless steel sintered filter	3	3	3	3		
	PTFE filter	5	5	5	5		
	stainless steel grid filter(up to 180°C/ 356°F)	9	9	9	9	9	9
<b>Cable length</b>	2m (6.6ft)	02	02	02	02	02	02
<b>(incl. probe length)</b>	5m (16.4ft)	05	05	05	05	05	05
	10m (32.8ft)	10	10	10	10	10	10
	20m (65.6ft)	20	20	20	20	20	20
<b>Probe length</b>	65mm (2.6") (for model E: 80mm (3.1"))	2	2	2		2	2
	200mm (7.9")	5	5	5	5	5	5
	400mm (15.8")	6	6	6		6	6
<b>Pressure tight feedthrough</b>	1/2" male thread			HA03	HA03		
	1/2" NPT thread			HA07	HA07		
<b>Interface<sup>1)3)</sup></b>	RS232						
	RS485	N	N	N	N	N	N
	ethernet interface <sup>5)</sup>	E	E	E	E	E	E
<b>Display</b>	without display						
	with display	D05	D05	D05	D05	D05	D05
<b>Alarm output<sup>1)</sup></b>	without relay						
	with relay	SW	SW	SW	SW	SW	SW
<b>ARC-Module<sup>1)2)4)</sup></b>	without external triggering of sensor-heating						
	with external triggering of sensor-heating <sup>4)</sup>	ARC	ARC	ARC	ARC	ARC	ARC
<b>Plug<sup>1)</sup></b>	cable glands						
	1 plug for power supply and outputs	C03	C03	C03	C03	C03	C03
	1 cable gland / plug for RS232	C06	C06	C06	C06	C06	C06
	2 plugs for power supply / outputs and RS485 network	C08	C08	C08	C08	C08	C08
<b>Sensing probe</b>	fixed						
	connectable in the housing	P03	P03	P03	P03	P03	P03
<b>Coating sensor</b>	no						
	yes	HC01	HC01	HC01	HC01	HC01	HC01
<b>Supply voltage</b>	8...35V DC / 12...30V AC						
	integrated power supply 100 ...240V AC, 50/60Hz <sup>1)3)</sup>	V01	V01	V01	V01	V01	V01
<b>Software Configuration</b>							
<b>Physical parameters of outputs</b>	Relative humidity RH [%] (A)	Select according to Ordering Guide (A - J)					C
	Temperature T [°C] (B)	Select according to Orderin Guide (A-J)					D
	Dew point temperature Td [°C] (C)						
	Frost point temperature Tf [°C] (D)						
	Wet bulb temperature Tw [°C] (E)						
	Water vapour partial pres. e [mbar] (F)						
	Mixture ratio r [g/kg] (G)						
	Absolute humidity dv [g/m <sup>3</sup> ] (H)						
	Specific enthalphy h [kJ/kg] (J)						
<b>Type of output signal</b>	0-1V	1	1	1	1	1	1
	0-5V	2	2	2	2	2	2
	0-10V	3	3	3	3	3	3
	0-20mA	5	5	5	5	5	5
	4-20mA	6	6	6	6	6	6
<b>Measured value units</b>	metric / SI	E01	E01	E01	E01	E01	E01
	non metric / US						
<b>T-Scaling</b>	-40...60 (T02)	-20...100 (T14)	Select according to Ordering Guide (Txx)				
<b>Td-Scaling</b>	-10...50 (T03)	+20...120 (T15)					
<b>Tf-Scaling</b>	0...50 (T04)	0...120 (T16)	Select according to Ordering Guide (Tdx)				
<b>Tw-Scaling</b>	0...100 (T05)	0...80 (T21)					
<b>(in °C or °F)</b>	0...60 (T07)	-40...80 (T22)	Select according to Ordering Guide (Tfxx)				
	-30...70 (T08)	-20...80 (T24)					
	-30...120 (T09)	-40...160 (T33)	Select according to Ordering Guide(Twxx)				
	-20...120 (T10)	+20...180 (T40)	Other T/Td/Tf/Tw-scaling refer to data sheet				
	-40...120 (T12)	-40...180 (T52)	„T-Scalings“				

1) Following combinations are not possible: RS485 / Ethernet / alarm output / ARC-Module / integrated power supply  
 2) If using an ARC-Module the transmitter has to be supplied with 24V AC/DC +/- 20%  
 3) Integrated power supply includes 2 plugs for power supply and outputs / further plug options are not possible

4) RS232 interface occupied  
 5) only C03 plug possible

## Order Example

### HLX33-MFTD5025ND05SW/BC3-T02-Td07

#### Hardware Configuration:

Housing: metal  
 Type: humidity + temperature  
 Model: remote sensing probe  
 Filter: PTFE filter  
 Cable length: 2m (6.6ft)  
 Probe length: 200mm (7.9")  
 Interface: RS485

Display: with display  
 Alarm output: with relay  
 ARC-Module: without  
 Plug: cable glands  
 Sensing probe: fixed  
 Coating sensor: no  
 Supply voltage: 8...35V DC / 12...30V AC

#### Software Configuration:

Output 1: T  
 Output 2: Td  
 Output signal: 0-10V  
 Measurand value unit: metric / SI  
 T-Scaling: -40...60°C  
 Td-Scaling: 0...60°C