



DB2-SIG-B00

Powered ZigBee Repeater

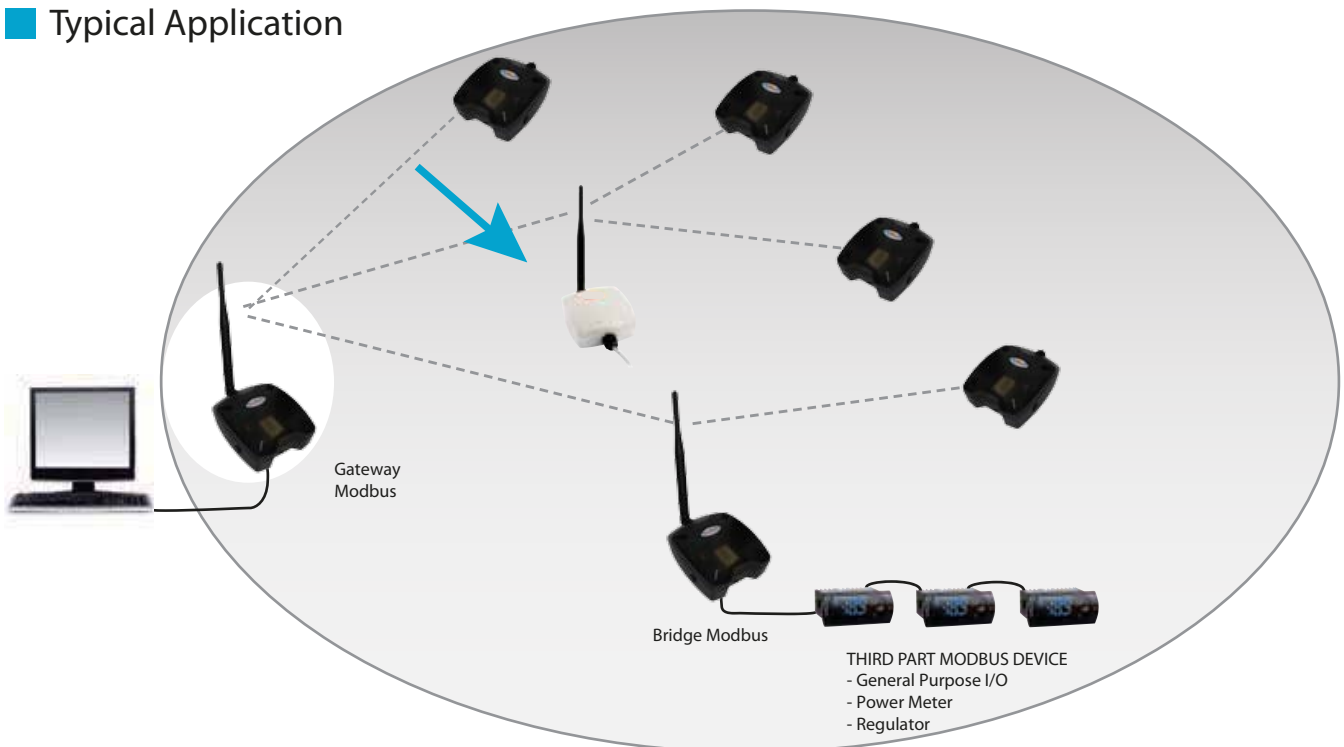


■ Key Features

- Repeating ZigBee messages between devices with poor link or out of coverage
- Routing function
- RF power 10mW
- External antenna
- 230Vac power supply

DB2-SIG-B00 has the function to extend the radio range of devices making possible to cross obstacles or long distances; it can also act as a parent device for battery-powered sensors of the same family. It doesn't need any other connections but the supply one.

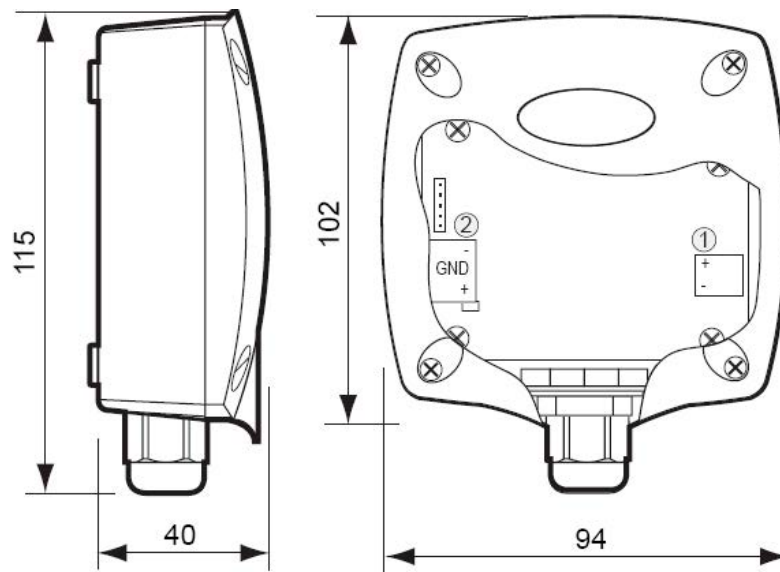
■ Typical Application



■ Technical Specs

| | |
|---|---|
| General characteristics | Chip Ember EM250 Compatible IEEE 802.15.4 Stack EmberZnet 3.4.x (ZigBee PRO) Modbus/RTU |
| RF characteristics | Frequency: 2405 MHz ÷ 2480 MHz Modulation: DSSS Nominal transmission power: 10mW (10 dBm) Reception sensitivity: -97 dBm Extern antenna Gain: 5,5 dB Coverage outdoor/indoor: 200m/50m |
| Supply | 230Vac (±10%); 20mA; 50/60Hz |
| Connections | Bipolar Plug for CEI EN50075 with 2m cable |
| Environment parameters | Operating temperature: -10 ÷ +60°C; <80% U.R. not condensing Storage temperature: -20 ÷ +70°C; <80% U.R. not condensing Degree of protection: IP 55 |
| Compliant with 2006/95/EEC, 89/336/EEC, 99/5/EEC directives Reference Norms: | ETSI EN 300 328: Radio Compatibility for digitals wide band transmissions ETSI EN 301 489: Radio Compatibility EN 61000-6-2: Electromagnetic Compatibility - Emissions EN 61000-6-3: Electromagnetic Compatibility - Immunity EN 60950-1: Electric Safety Insulation: Class II |

■ Dimensions (mm)



Rev 2.4 30/09/2009

Digitron

