

closer to the climate



Weather station ENGINEER



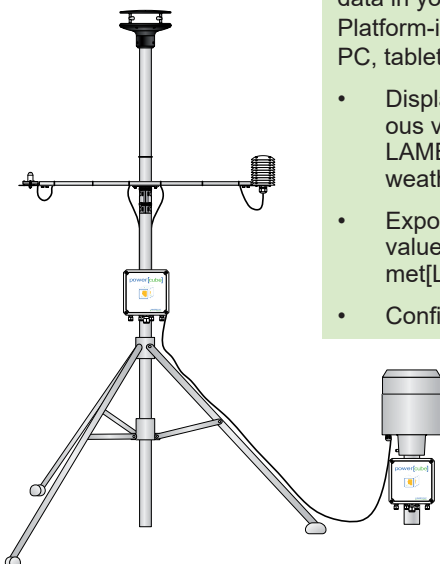
The high quality sensors and high performance communication technology ensure reliable and precise measurement data as well as unlimited availability of the measured environmental parameters.

- ✓ visualisation of your data via integrated met[APP] in your web browser
- ✓ no additional software required
- ✓ robust, high-quality materials assure service-life and precision at the highest level
- ✓ simple and fast installation via Plug & Play



met[APP] • Our browser app which is integrated in the met[LOG] • for easy visualisation of the current weather data in your network. Platform-independent on your PC, tablet or smartphone.

- Displays the instantaneous values of your LAMBRECHT meteo weather station
- Exports the measured values stored by the met[LOG]
- Configures the met[LOG]



Ultrasound sensor u[sonic]
for wind speed and direction · sea-water resistant sensor, perfectly heated · easy installation and maintenance-free



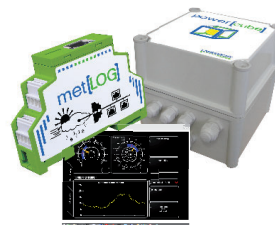
Precipitation sensor 15189
Weather proven all-metal housing · precise tipping bucket bearing · reliable long-term operation



Combined Sensor THP[pro]
Temperature, humidity, air pressure
Proven environmental measurement technology · sensor shelter, also ventilated as an option



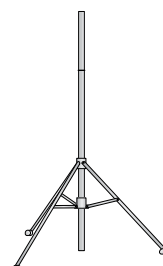
Pyranometer 16106
Silicon pyranometer · easy alignment using the integrated circular level



Data logger met[LOG]
Plug & play · visualisation in web browser · alarm generation with hysteresis or window function; alarm output via 4 digital outputs, 8 logically connectable warning channels

power[cube]: all-weather-resistant power pack · rounds off the station regarding power supply and communication.

MeteoWare-CS (option)
Professional software for data visualisation, storage and export



Mast system
Modular mast system with sensor adapters and clamps · for meteorological sensors

closer to the climate



Weather station ENGINEER



Your advantages

- LAMBRECHT meteo environmental measurement stations are completely preconfigured.
- Easy installation, and the wiring needs minimal effort.
- Sensors are extraordinary precise, robust and durable.
- Data storage lasts for a whole year.
- Minimal maintenance costs due to best product quality
- Continuous data transfer via Ethernet protects against data lost.
- Evaluation software and cable are included in scope of delivery.

Technical data

Operating temp. range:	-20...+70 °C
Supply:	90...264 VAC
Power rating:	480 W
Output power supply:	24 VDC

Weather station ENGINEER

consisting of:

Ultrasonic wind sensor u[sonic]

<i>Wind direction</i>	Meas. range: 0...359.9° · Accuracy: < 2° (> 1 m/s) RMSE
<i>Wind speed</i>	Meas. range: 0...75 m/s Accuracy: ± 0.2 m/s RMSE (v < 10 m/s); ± 2 % RMSE (10 m/s < v < 65 m/s)

Precipitation sensor ECO, 2 cm³ (15189)

Meas. range: 0...8 mm/min • Resolution: 0.1 mm Accuracy: ± 2 % with intensity correction

Temperature/Humidity/Air Pressure Sensor THP[pro]

<i>Temperature</i>	Measuring range: -40...+70 °C Resolution: 0.1 °C Accuracy: ± 0.1 K (0...60 °C) • ± 0.2 K (-40...0 °C)
<i>Relative humidity</i>	Measuring range: 0...100 % r. h. Resolution: 0.1 % r. h. Accuracy: typ. ± 1.5 % (0...80 %) r. h. • ± 2 % (>80 %) r. h.

<i>Barometric Pressure</i>	Measuring range: 500...1100 hPa Resolution: 0.1 hPa Accuracy: ± 2 hPa (-30...+70 °C) • ± 1 hPa (-10...+60 °C)
----------------------------	--

Sensor shelter (8141.6)

11 lamellas, natural ventilation of the sensors

Pyranometer (16106) Meas. range: 0...1400 W/m²

Data logger met[LOG]

Ethernet: 10/100 BaseT • connector RJ45 shielded
Interface: 3 x RS 485 (1 x freely configurable)
Input: 4 analogue/ digital inputs (2 x freely configurable)

Power supply power[cube]

Power: 480 W
Output: 24 VDC

Tripod mast, height 3 m, aluminium-made, with mounting material

Applications:

- hydrology
- building technology
- power plants
- industry

For applications demanding higher precision we recommend our weighing precipitation sensor rain[e].

The unique self-emptying collecting system of the rain[e] allows single drop measurement at the high resolution of 0.001 mm/m².

